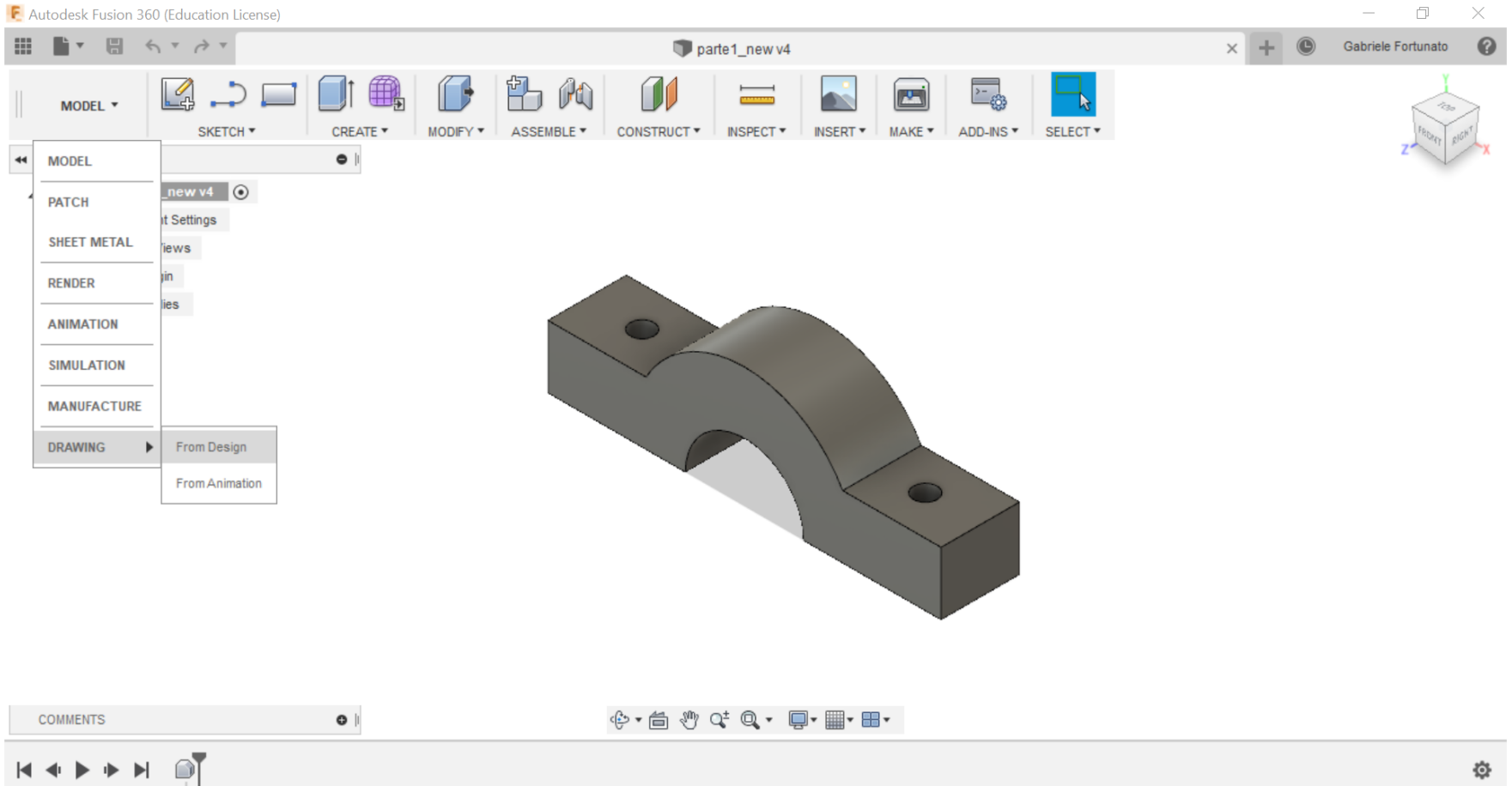


Drawings

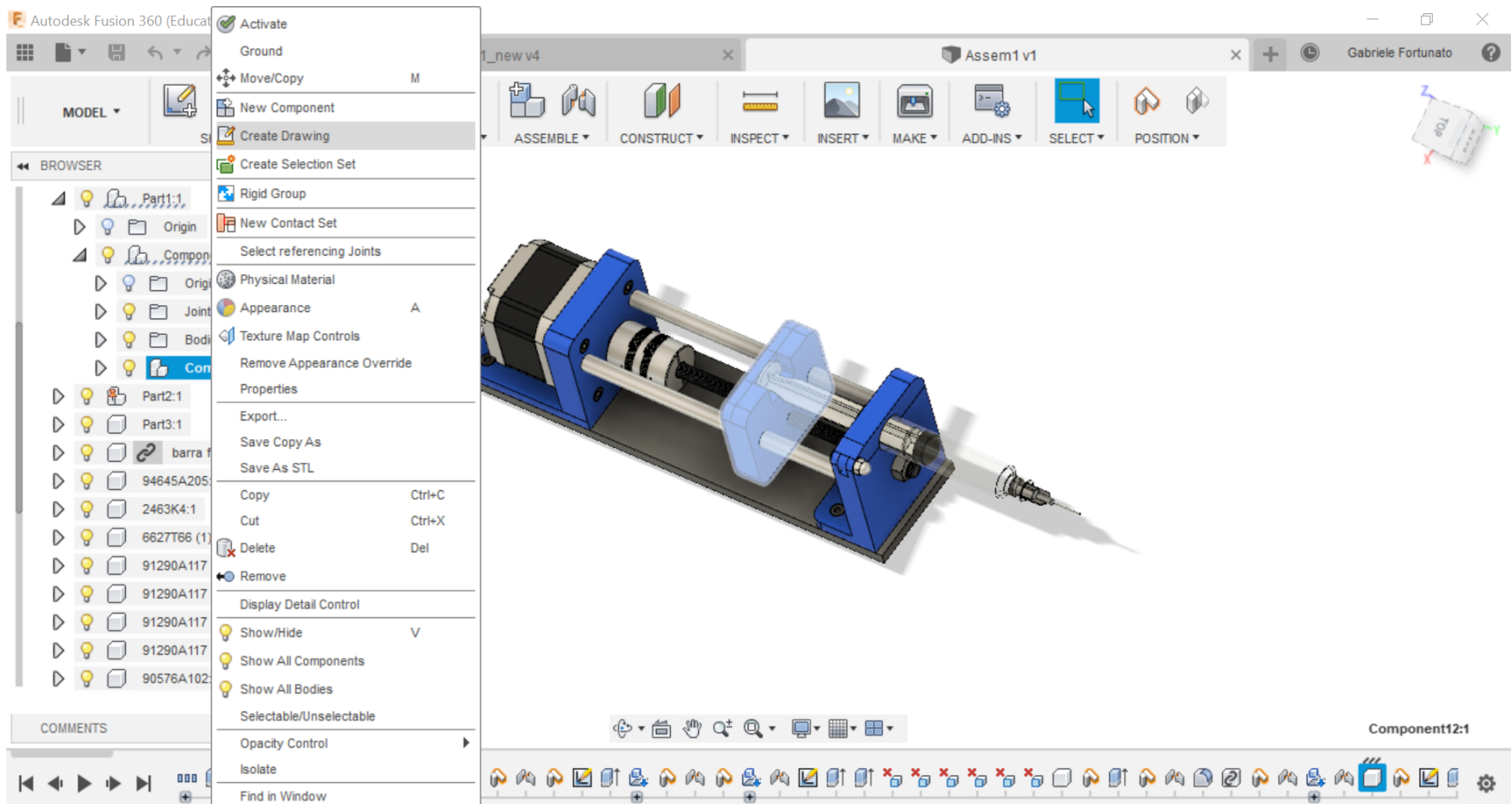
Autodesk® Fusion 360

Example 1

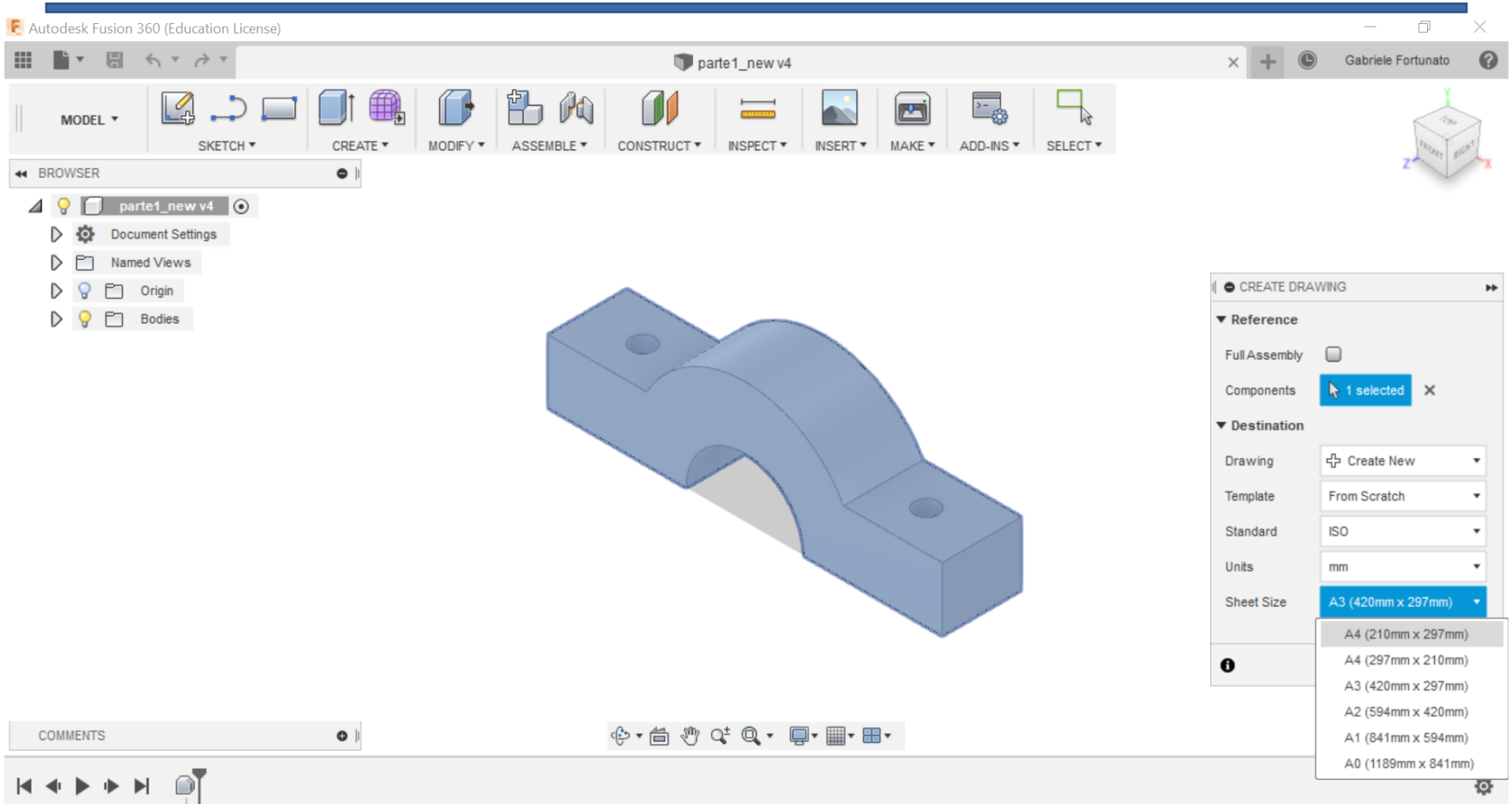
Open Drawing from design



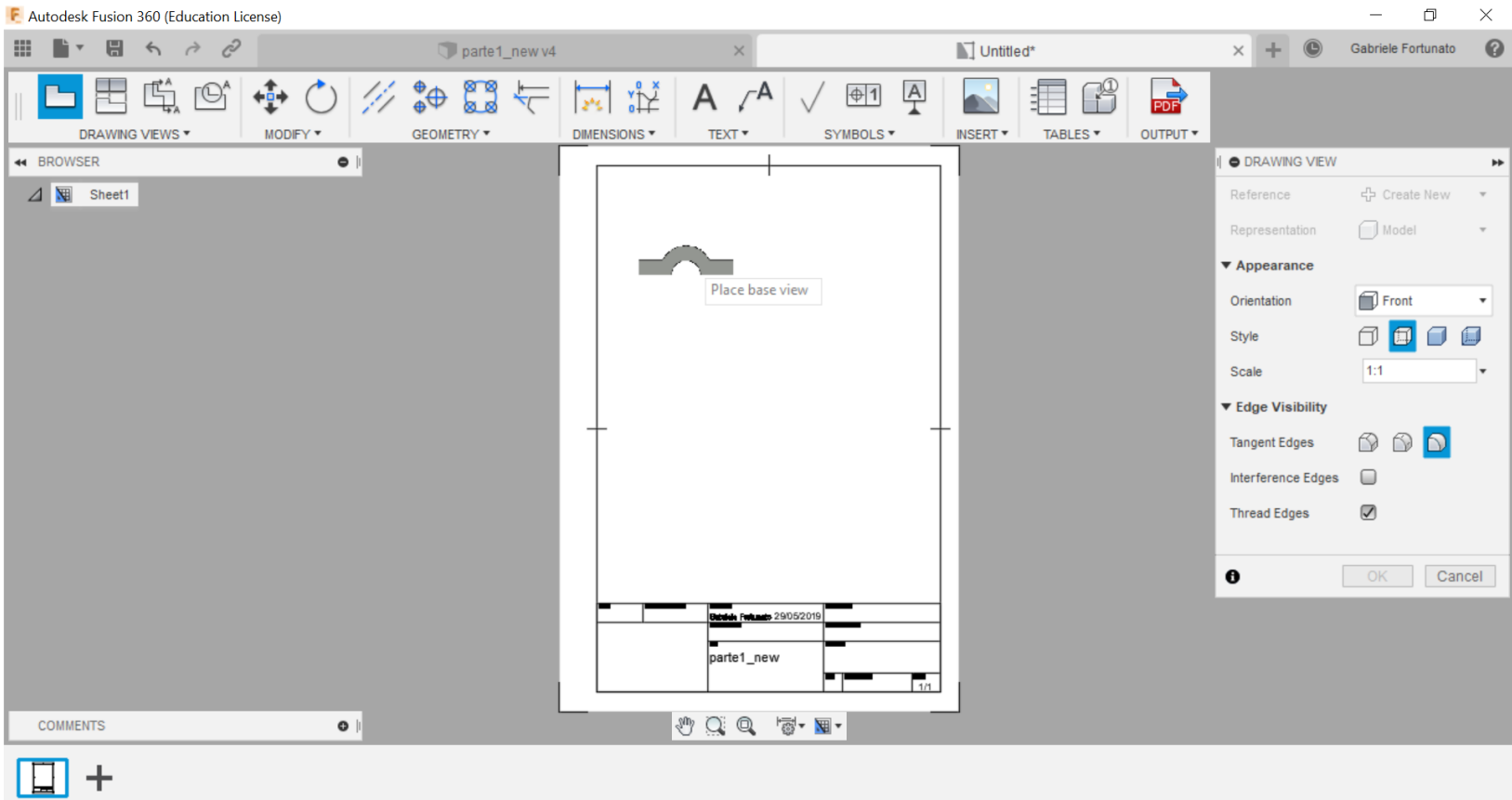
Assembly: right click on single component → create drawing



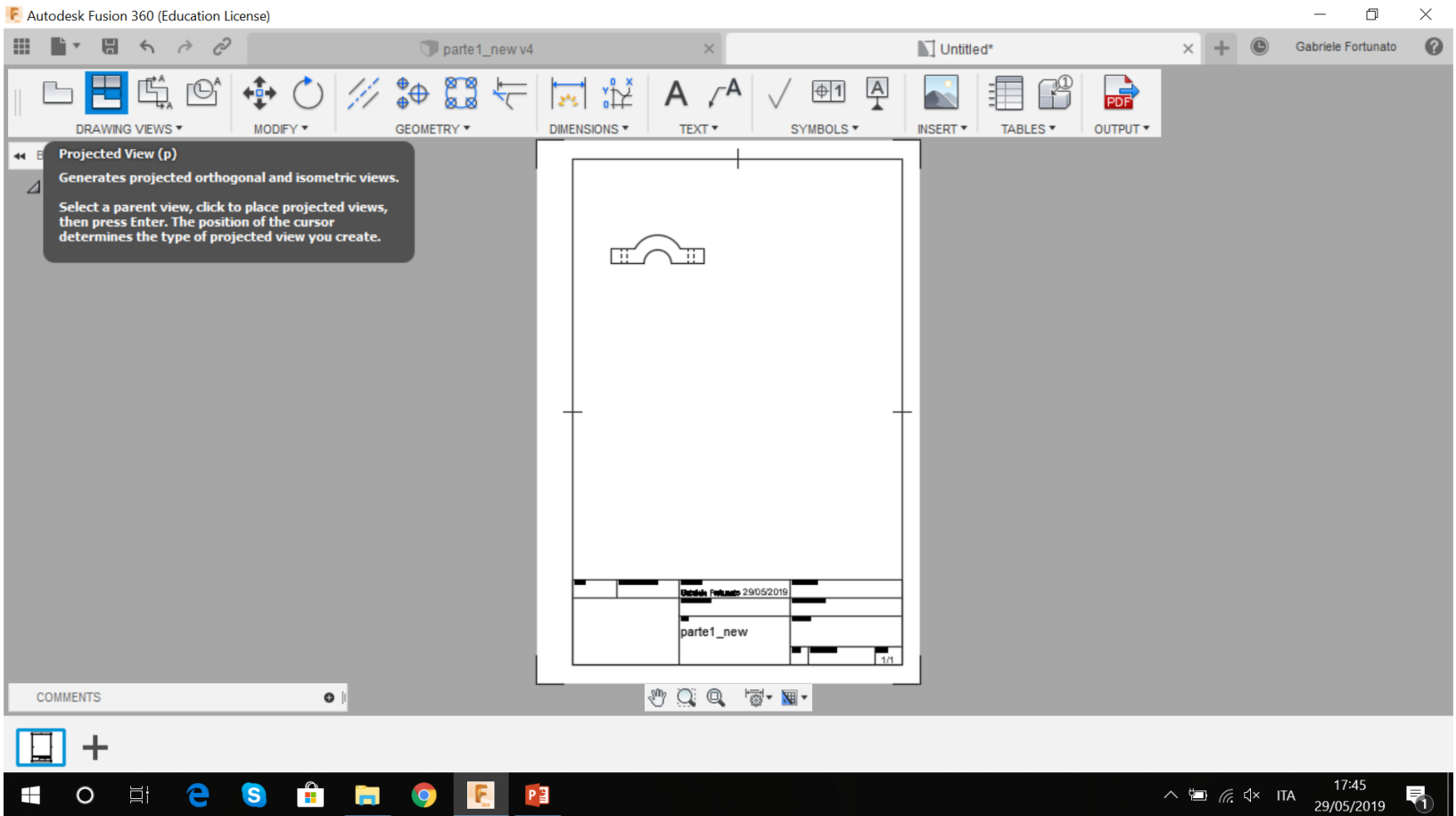
Select unit and sheet size



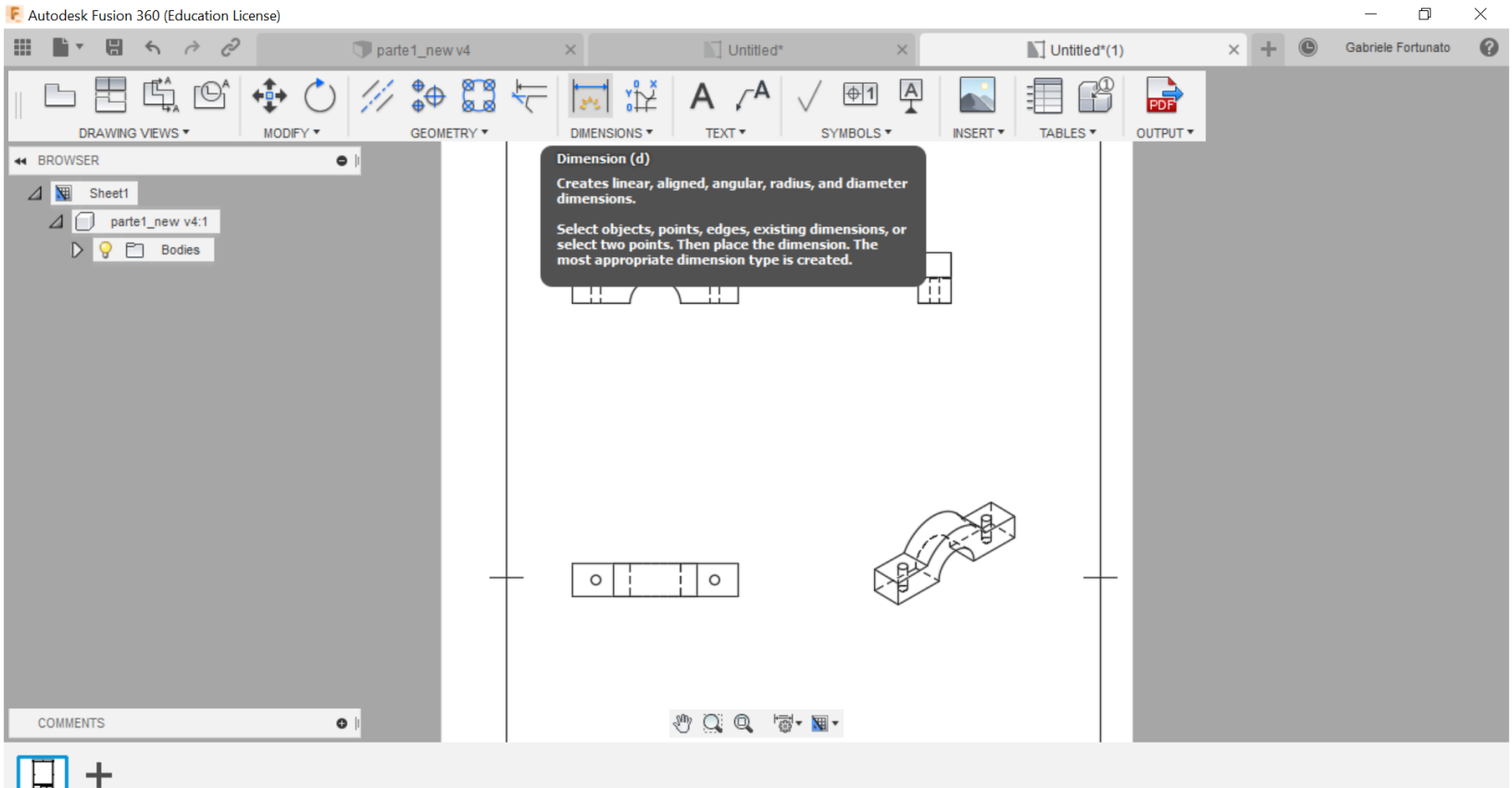
Select desired orientation → click → ok



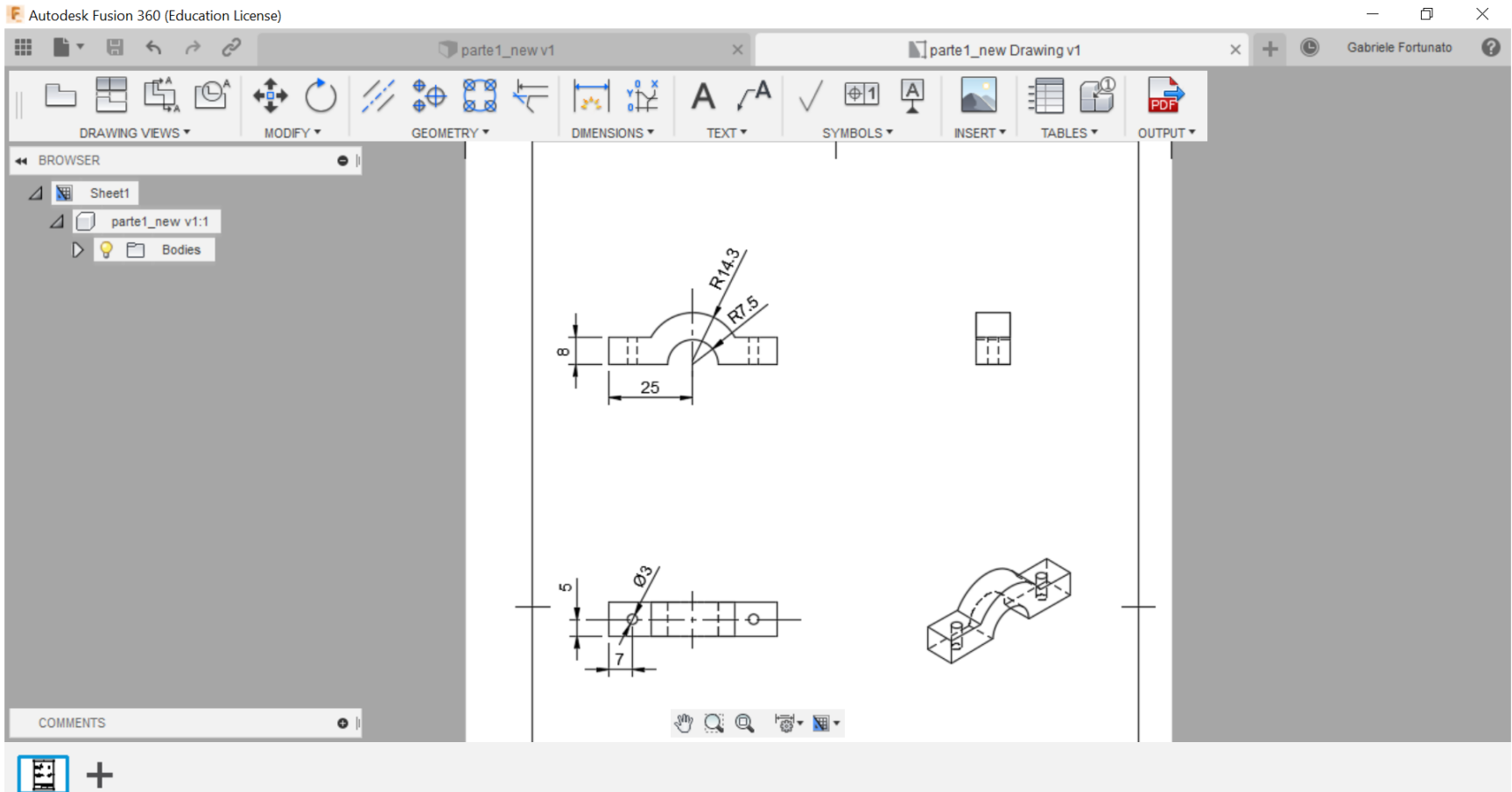
Projected view: click on main view → drag and click → enter



Use 'Dimension' tool



Use 'Dimension' tool



Video tutorial

https://drive.google.com/open?id=1DJK8EdA1n88bNGhWStGJc72d3eZsAd_D